

ES32F369X开发板1.2.PrjPcb

Table of Contents

Sheet1: Cover(This Page)
Sheet2: ES32F369X开发板1.2.PrjPcb
Sheet2: MCU
Sheet3: Power
Sheet4: CAN+Ethernet
Sheet5: Memory
Sheet6: ComFunc
Sheet7: Audio
Sheet8: ES-Link+Uart
Sheet9:Mechanical

Legend

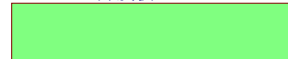
General comment such as function title, configuration, ...

Text to be added to silkscreen.

Warning text.

Notes to generate the board layout.

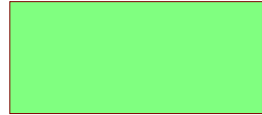
ES32F369X开发板V1.2_TOP
ES32F369X开发板V1.2.SchDoc



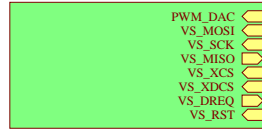
Eastsoft®

essemi
上海东软载波微电子有限公司

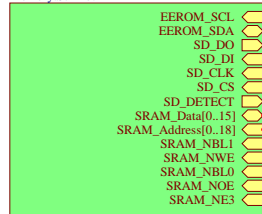
Pwr
Pwr.SchDoc



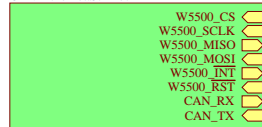
Audio
Audio.SchDoc



Memory
Memory.SchDoc



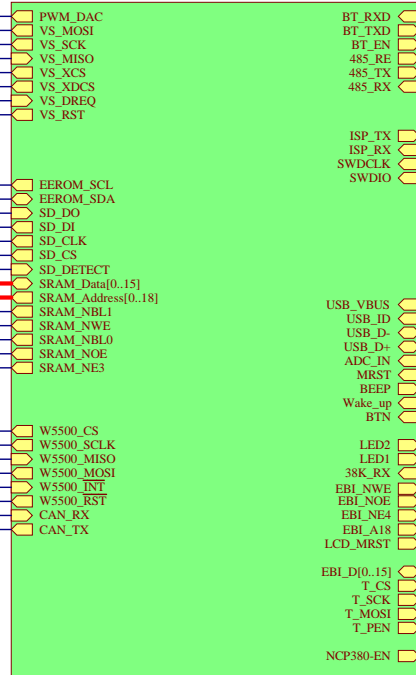
CAN+Ethernet
CAN+Ethernet.SchDoc



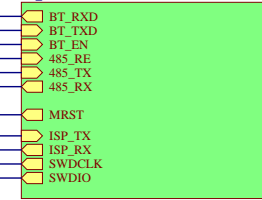
Mechanical
Mechanical.SchDoc



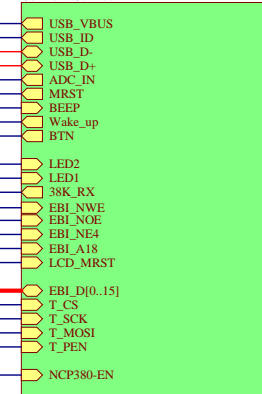
MCU
MCU.SchDoc



ES_Link+Uart
ES_Link+Uart.SchDoc

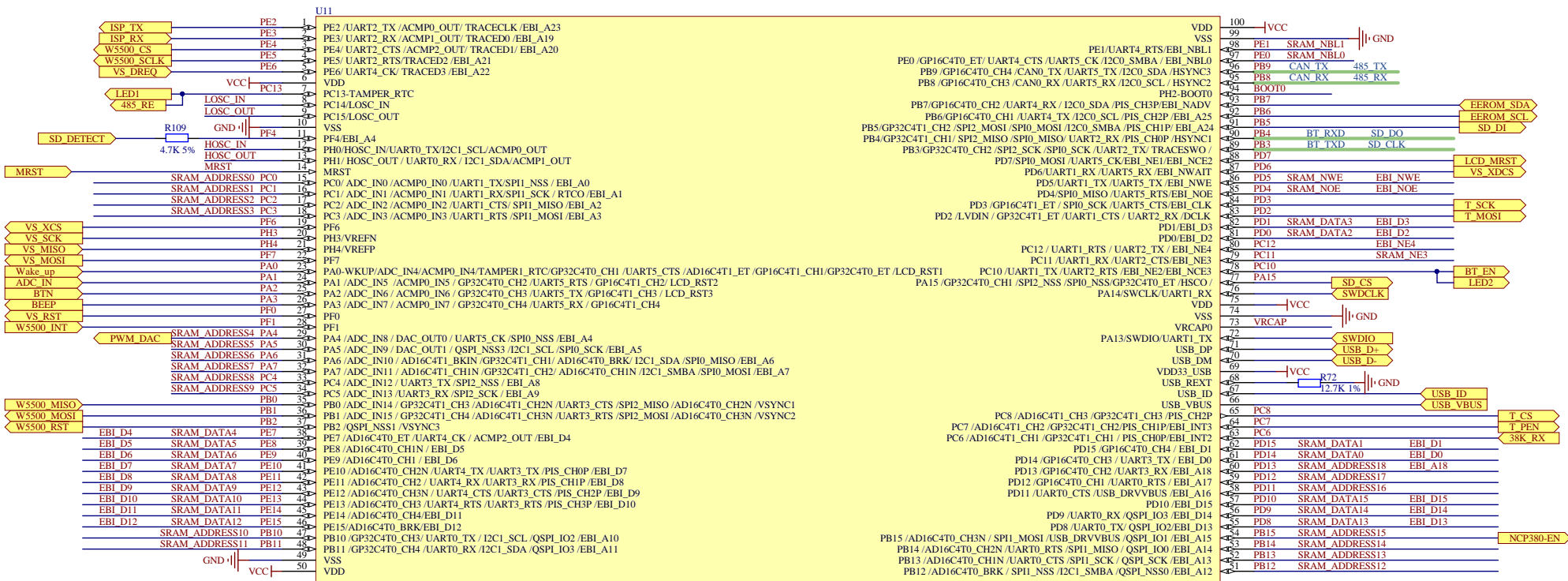


ComFunc
ComFunc.SchDoc

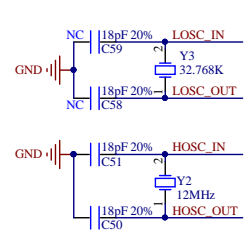


Title:	Project overview
Project:	ES32F369X 开发板1.2.PrjPcb
Version:	V1.2
Date:	2020-7-27
Size:	A3
Sheet:	1 of 10

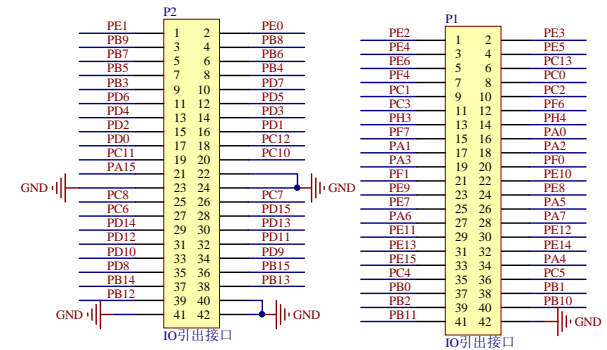
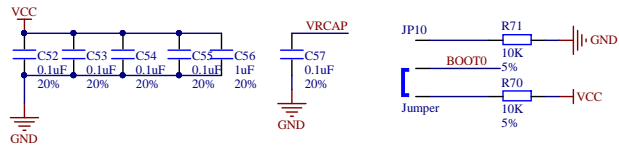




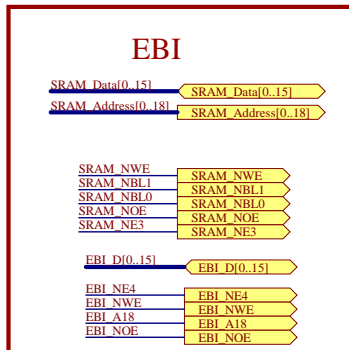
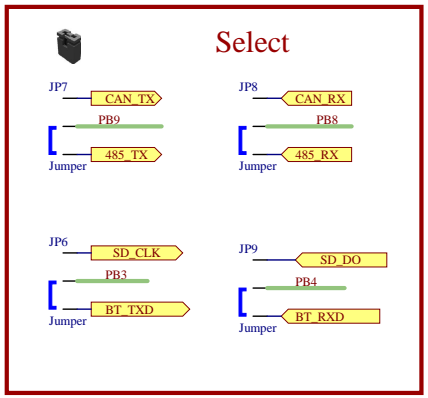
ES32F3696LX



电压输入范围: 2V~VDD<5.5V
 ADC参考电压输入范围: 2.5V<ADC (VREFP-VREFN) <5.5V
 VREFP电压输入范围: 2V~VREFP<VDD



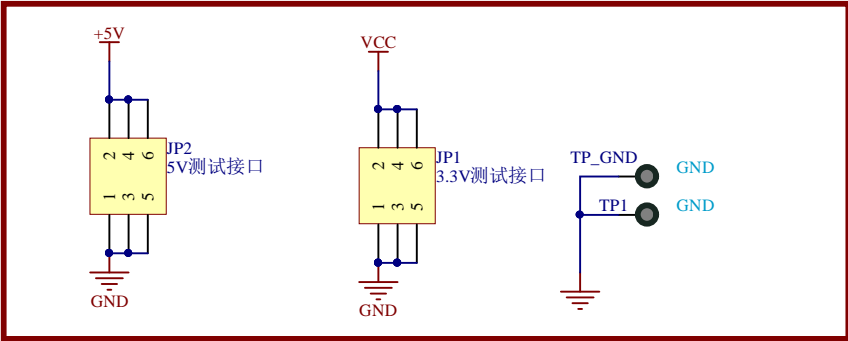
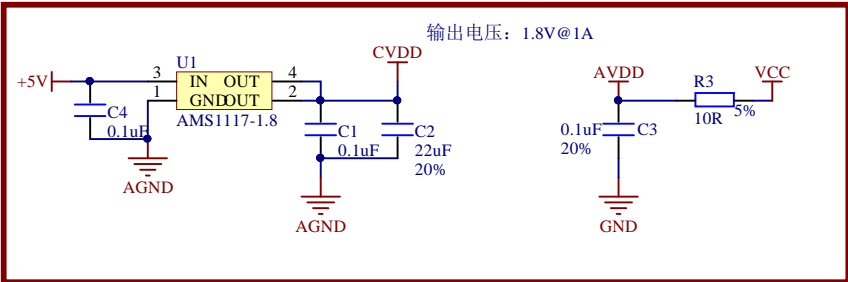
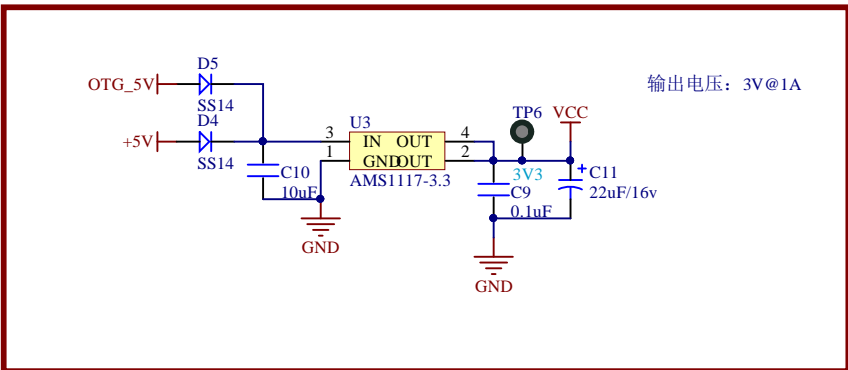
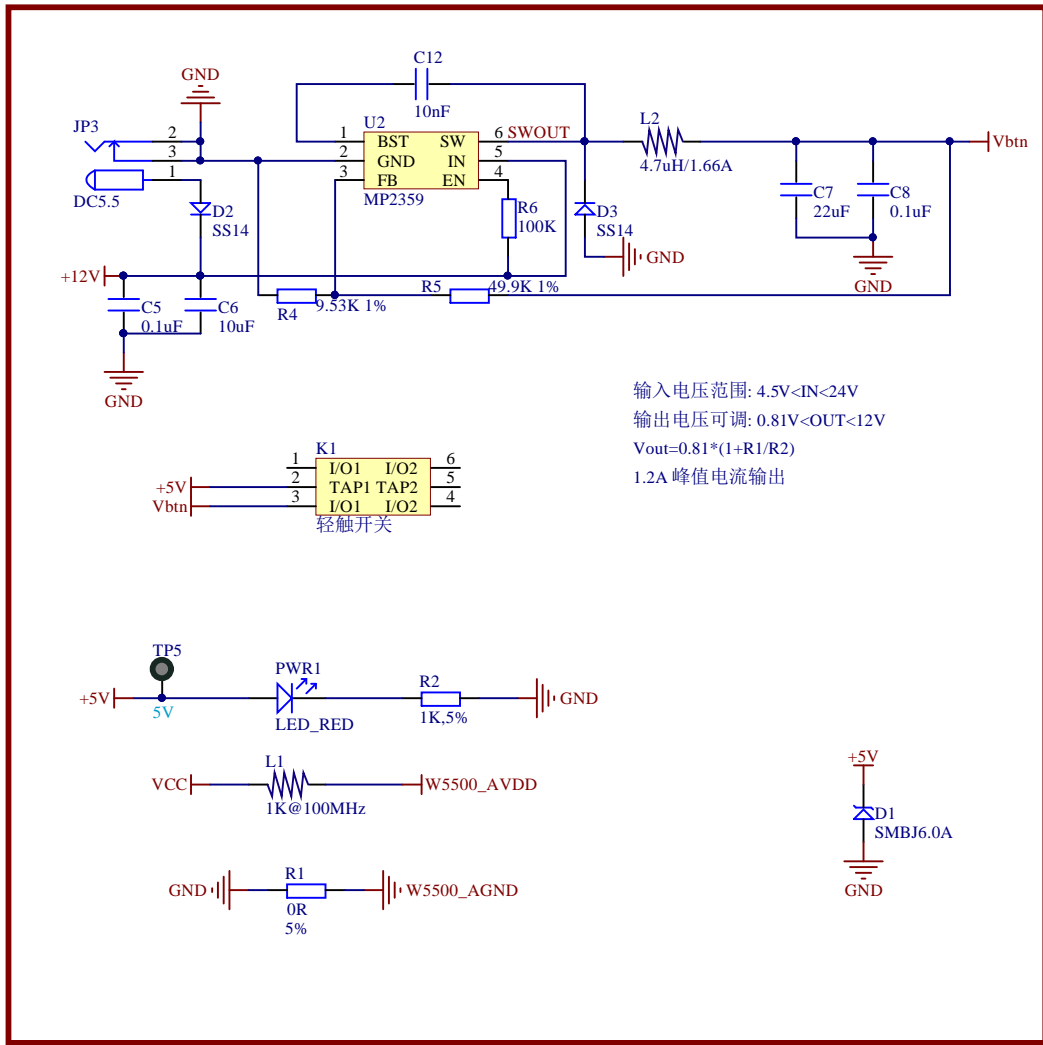
使用IO外扩功能时, PA1、PA2、PA3不可用于AD输入



MCU

Title:	MCU
Project:	ES32F369X 开发板1.2.PrjPcb
Version:	V1.2
Date:	2020-7-27
Size:	A3
Sheet:	2 of 10

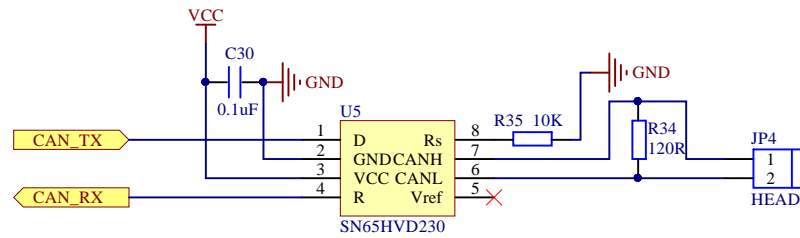




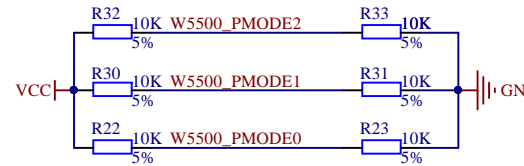
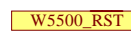
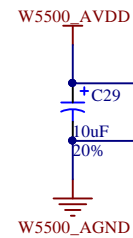
Power

Title: Power	
Project: ES32F369X开发板1.2.PrjPcb	
Version: V1.2	
Date: 2020-7-27	
Size: A4	Eastsoft essemi
Sheet: 3 of 10	

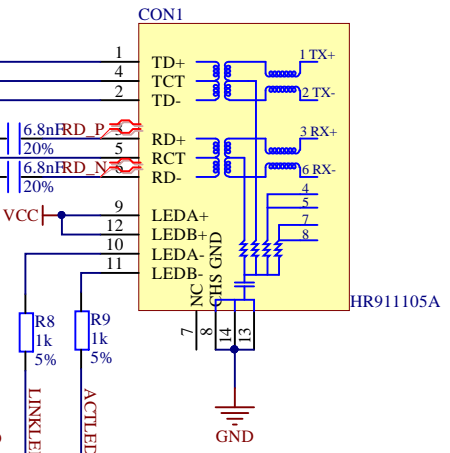
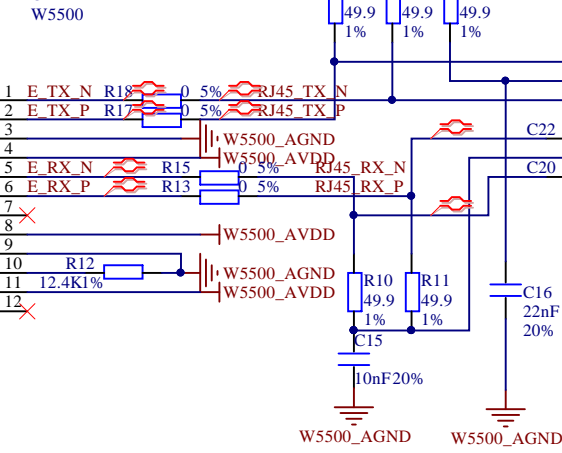
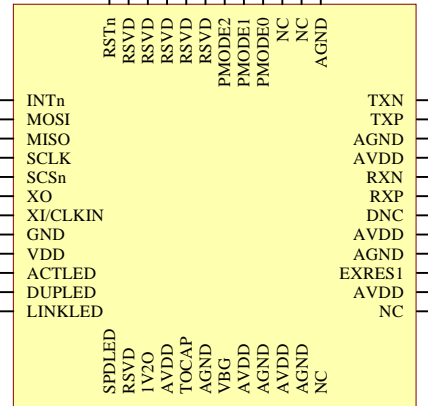
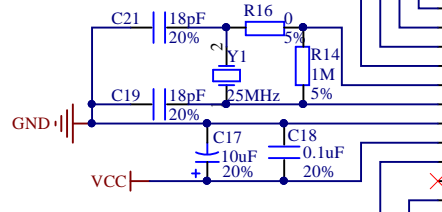
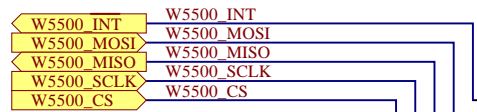
CAN



电压输入范围: $3V < VCC < 3.6V$
 高电平最低电压 :2V
 低电平最高电压 :0.8V



Link LED Low:Link is establish High:Link is not establish
 Active LED Low:Carrier sense from the active PMD High :No Carrier Sense
 PMODE[2:0]
 000 10BT Half-duplex,Auto-negotiation disabled
 001 10BT Full-duplex,Auto-negotiation disabled
 010 100BT Half-duplex,Auto-negotiation disabled
 011 100BT Full-duplex,Auto-negotiation disabled
 100 100BT Half-duplex,Auto-negotiation enabled
 101 Not used
 110 Not used
 111 All capable,Auto-negotiation enabled

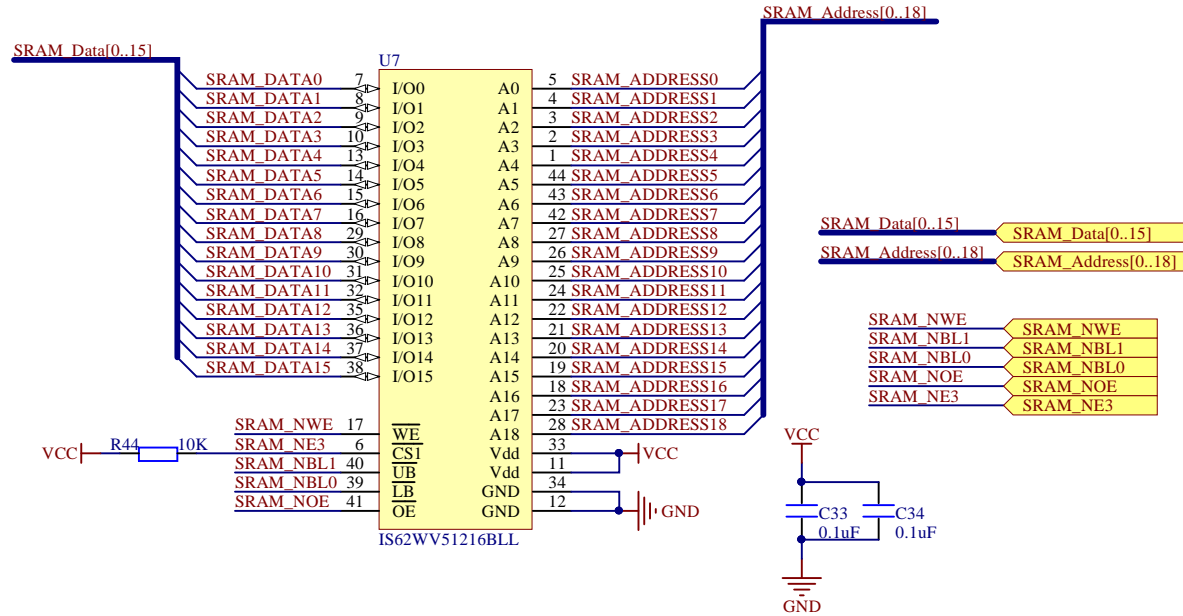


Ethernet

Title: CAN+Ethernet	
Project: ES32F369X开发板1.2.PrjPcb	
Version: V1.2	
Date: 2020-7-27	
Size: A4	Eastsoft. essemi
Sheet: 4 of 10	

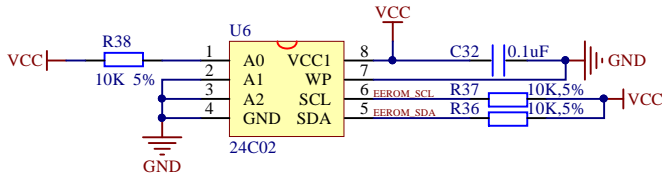
电压输入范围: 2.5V<VDD<3.6V

SRAM bus走线匹配阻抗50 ohm +/- 15%



SRAM

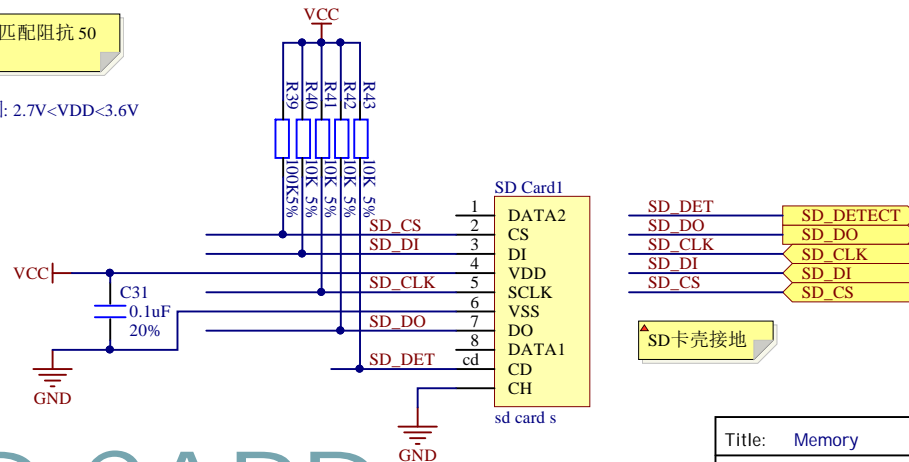
Operating range: 1.7V<VDD<3.6V
256*8(2K)



EEPROM

SD card 走线匹配阻抗 50 ohm +/- 15%

电压输入范围: 2.7V<VDD<3.6V

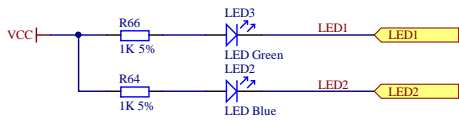


SD CARD

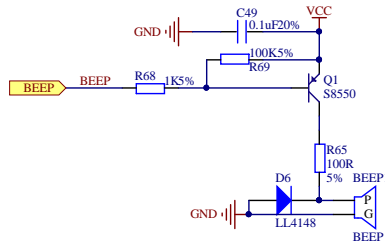
SD卡壳接地

Title:	Memory
Project:	ES32F369X开发板1.2.PrjPcb
Version:	V1.2
Date:	2020-7-27
Size:	A4
Sheet:	5 of 10

Eastsoft | essemi

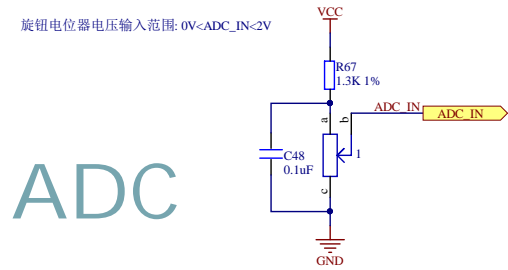


LED



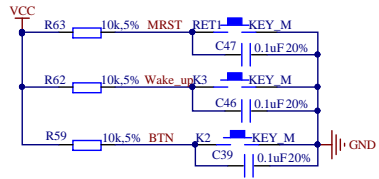
BEEP

无源蜂鸣器
响应频率: 2700Hz
工作电压: 3.0V-7V



ADC

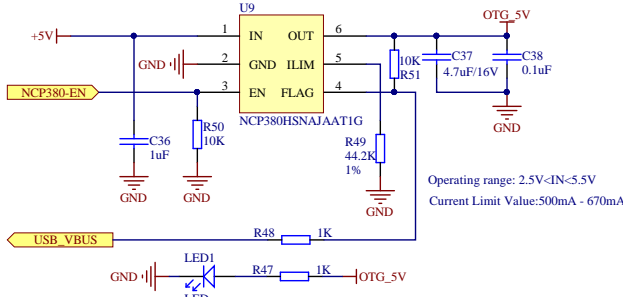
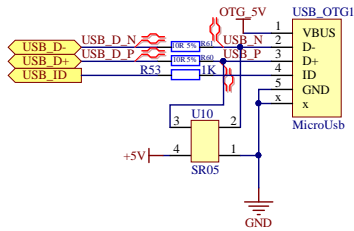
旋钮电位器电压输入范围: 0V<ADC_IN<2V



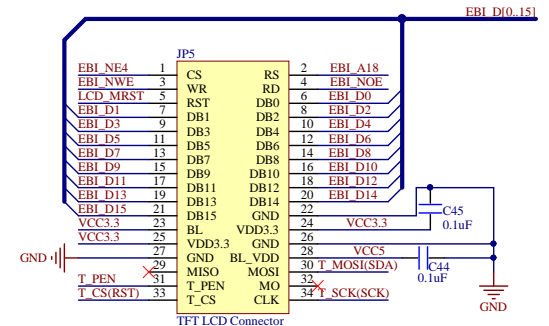
KEY



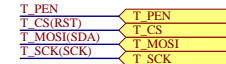
USB DP/DM走差分线阻抗匹配
90 ohm diff +/- 10%



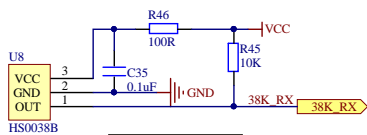
Operating range: 2.5V<IN<5.5V
Current Limit Value: 500mA - 670mA



LCD DATA bus
走线匹配阻抗50 ohm +/- 15%



TFTLCD

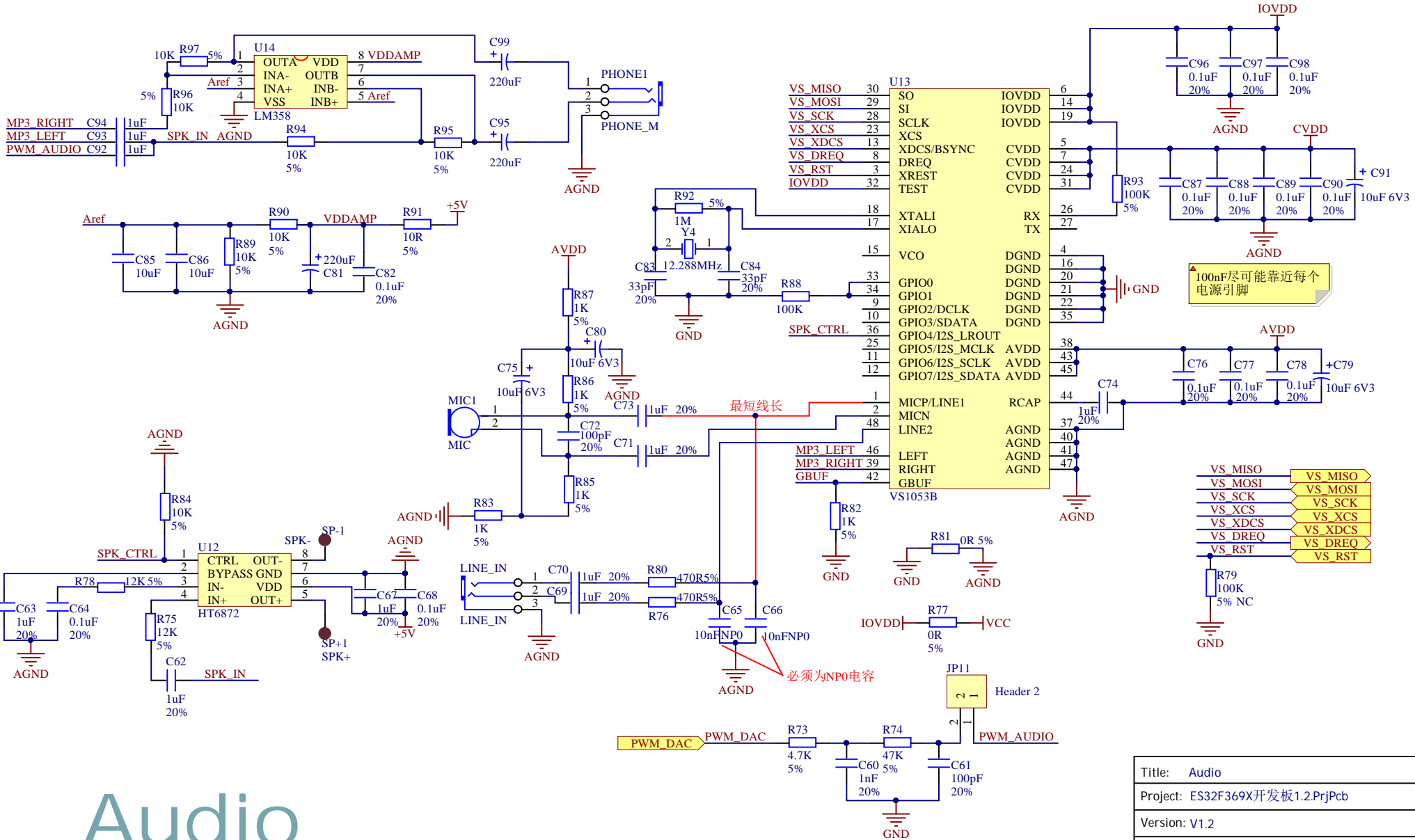


38K

数据频率为 38KHz

USB_OTG

Title:	ComFunc
Project:	ES32F369X 开发板1.2.PrjPcb
Version:	V1.2
Date:	2020-7-27
Size:	A3
Sheet:	6 of 10



100nF尽可能靠近每个电源引脚

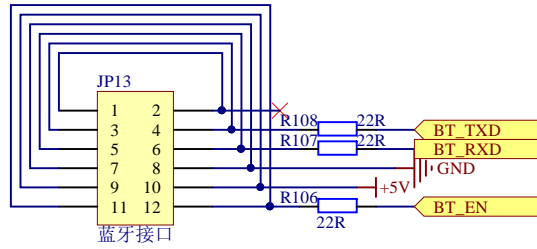
最短线长

必须为NP0电容

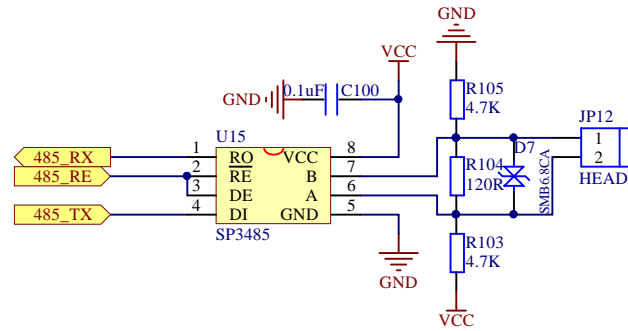
Audio

Title: Audio	
Project: ES32F369X开发板1.2.PrjPcb	
Version: V1.2	
Date: 2020-7-27	
Size: A4	Eastsoft essemi
Sheet: 7 of 10	

BT

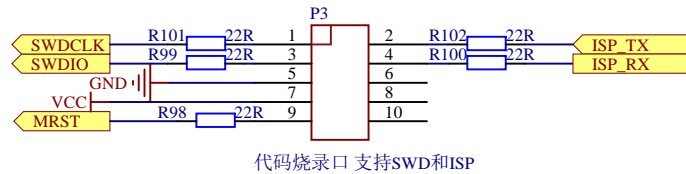


RS485



输入电压: +3.3V
总线输入电压范围: -7V<IN<12V
总线最多可连接32台设备

ES-Link



Title: Uart	
Project: ES32F369X开发板1.2.PrjPcb	
Version: V1.2	
Date: 2020-7-27	
Size: A4	Eastsoft essemi
Sheet: 8 of 10	

1

2

3

4

A

A

B

B

C

C

D

D

HW12



Bot 二维码

HW4



MarkPoint

HW5



MarkPoint

HW6



MarkPoint

HW7



MarkPoint

HW10

Rubber Foot (D=5mm , H=5mm)



HW9

Rubber Foot (D=5mm , H=5mm)



HW8

Rubber Foot (D=5mm , H=5mm)



HW3

Rubber Foot (D=5mm , H=5mm)



HW2

Rubber Foot (D=5mm , H=5mm)



Title: Mechanical	
Project: ES32F369X开发板1.2.PrjPcb	
Version: V1.2	
Date: 2020-7-27	
Size: A4	Eastsoft. essemi <small>上海东软微电子技术有限公司</small>
Sheet: 9 of 10	

1

2

3

4